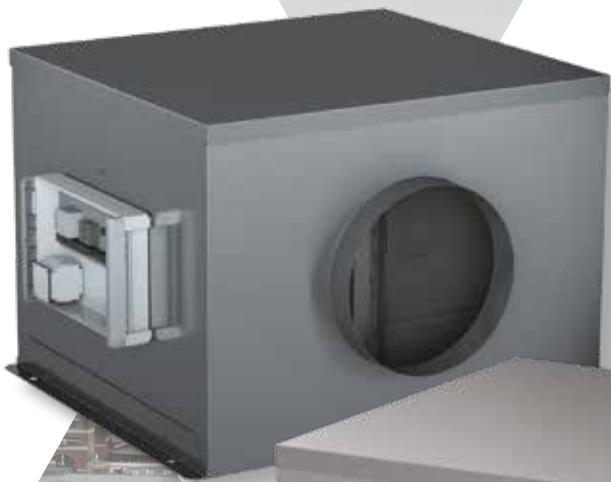


WOODS BOX FANS EC SINGLE





CONTENTS

Overview	3
Technical Details	
Performance Charts.....	4
Performance Table	4
Product and Electrical Data	4
Dimensions	5
Wiring Diagrams	6

OVERVIEW

PRODUCT FACTS

- Volume flows up to 3.55 m³/s
- Static pressures up to 1100 Pa
- EC motors
- Available in 50 Hz only
- Sound-proof cabinets, low breakout noise levels
- Low SFP to help achieve L2 regulations
- Speed controllable
- ErP compliant
- Plug and play fitted control panel
- Compact design

ELECTRICAL SUPPLY

- 220-240V / 50Hz / 1Ph
- 380-420V / 50Hz / 3Ph (450 and 560 size only)

TEMPERATURE RANGE

- Maximum working temperature: 50°C

SIZES

- 150, 200, 250, 315, 350, 450 & 560 mm

CONSTRUCTION

Galvanised steel casing of thickness 0.9mm to 1.2mm depending on the size and model. Standard construction suitable for internal and/or external application, power coated on request.

Top access is provided as standard, bottom access option is available on request.

The units are lined with 20mm Barafoam 'O' class liner with 6mm barrier mat layer which significantly reduces noise breakout.

IMPELLER

High efficiency backward curved centrifugal impeller.

MOTOR

This product is fitted with EC motors to optimize energy savings and can be controlled via a 0-10V signal providing highest degree of controllability.

INSTALLATION

These fans can be mounted vertically or horizontally. The external use models are fitted with removable discharge cowl. Bottom inlet also available on request.

FAN CONTROLLER

The fans are fitted with plug and play control unit designed to work with BMS systems as:

- Fault Out
- VFC Enable
- VFC Boost
- Remote Speed control

ACCESSORIES - CONTROLLERS

The range of accessories include duct clamps and silencers. A quick reference guide is shown below.



CFC



BDER



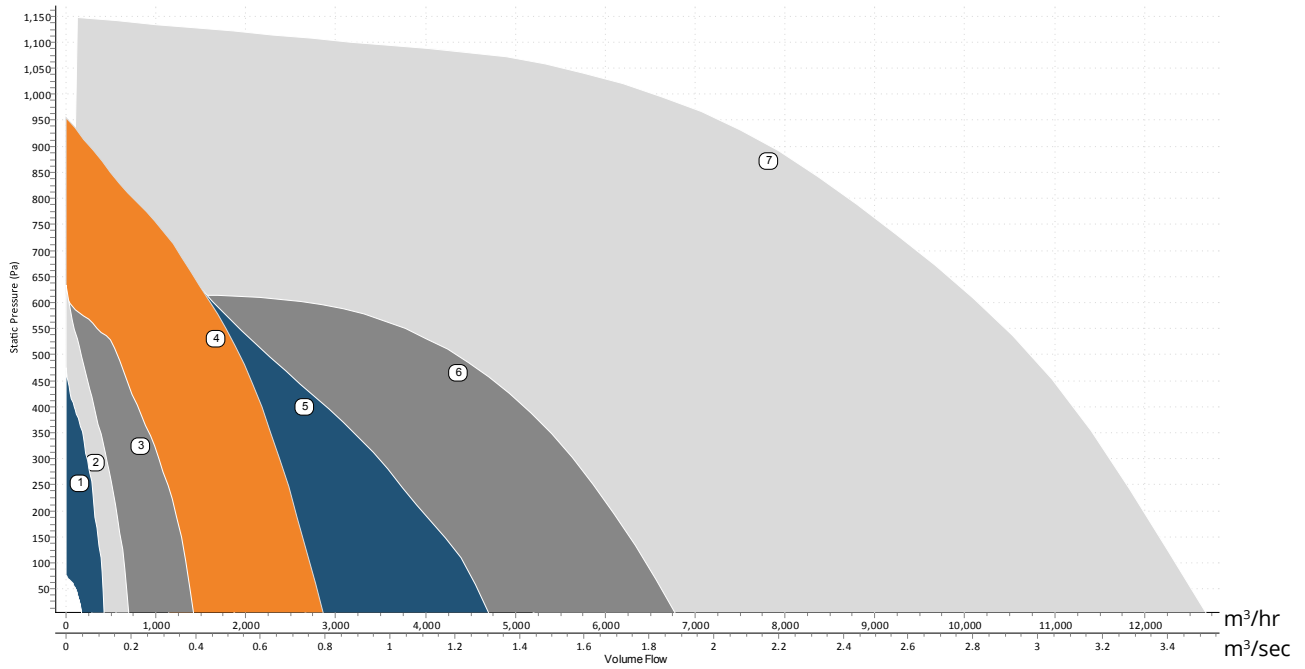
0-10V Pot



PIR

Note: The ErP legislation Reg 1253 states that a multi-speed drive or a variable speed drive must be used with this range of products.

Performance Charts



Performance Table

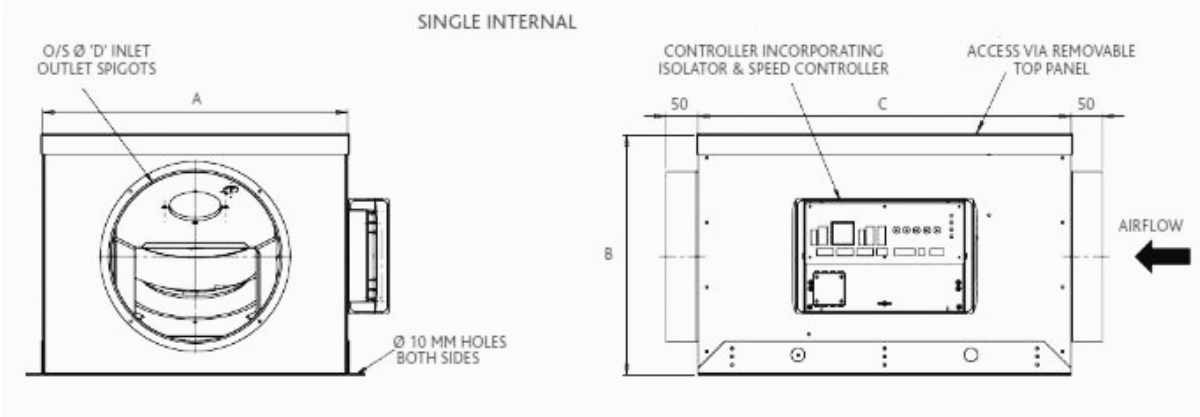
Ref	Product Code	M3/s @ Pa (Static)																							
		0	50	100	150	200	250	300	350	400	450	500	550	600	650	700	750	800	850	900	950	1000	1050	1100	
1	Woods EC Single Box 150	0.12	0.11	0.11	0.1	0.09	0.08	0.06	0.05	0.03	0.01														
2	Woods EC Single Box 200	0.19	0.19	0.18	0.17	0.16	0.14	0.12	0.11	0.09	0.07	0.05	0.03	0.1											
3	Woods EC Single Box 250	0.4	0.38	0.37	0.36	0.34	0.31	0.29	0.26	0.22	0.19	0.16	0.1	0.1											
4	Woods EC Single Box 315	0.8	0.77	0.75	0.73	0.71	0.69	0.66	0.63	0.06	0.57	0.54	0.49	0.45	0.4	0.34	0.28	0.21	0.14	0.07	0.01				
5	Woods EC Single Box 350	1.31	1.27	1.23	1.17	1.1	1.03	0.97	0.89	0.08	0.71	0.62	0.54	0.46	0.38	0.28	0.15	0.05							
6	Woods EC Single Box 450	1.89	1.84	1.79	1.74	1.69	1.63	1.57	1.5	1.42	1.32	1.2	1.05	0.75											
7	Woods EC Single Box 560	3.53	3.48	3.43	3.38	3.33	3.28	3.23	3.17	3.11	3.05	2.98	2.9	2.82	2.73	2.52	2.52	2.42	2.32	2.18	2.02	1.82	1.54	0.88	

Product and Electrical Data

Ref	Product Code	Product Number	Electrical Supply	Rating (kW)	Full Load Current (A)	Starting Current (A)	Sound level dB(A) (3m)*
1	Woods EC Single Box 150	EC150101	230 V/50Hz/1ph	0.052	0.4	0.4	47
2	Woods EC Single Box 200	EC200101	230 V/50Hz/1ph	0.07	0.55	0.55	46
3	Woods EC Single Box 250	EC250101	230 V/50Hz/1ph	0.17	1.4	1.4	48
4	Woods EC Single Box 315	EC315101	230 V/50Hz/1ph	0.51	3.1	3.1	58
5	Woods EC Single Box 350	EC350101	230 V/50Hz/1ph	0.45	2.9	2.9	52
6	Woods EC Single Box 450	EC450101	400 V/50Hz/3ph	1.01	1.6	1.6	54
7	Woods EC Single Box 560	EC560101	400 V/50Hz/3ph	3.1	4.9	4.9	65

* Sound power levels are average dB(A) at 3m distance over sphere, under free field conditions and are presented for comparative purposes only. Values shown are those at the mid-point of the performance curve. For ErP efficiency ratings and grades, please refer to our Fan Selector for more information.

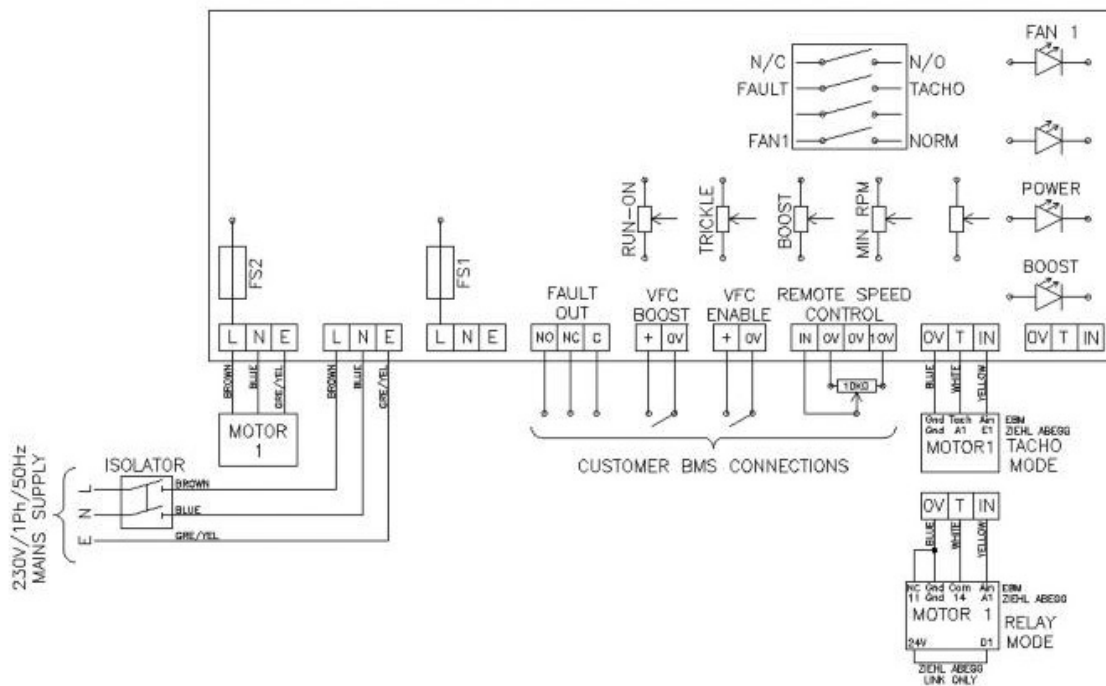
Dimensions



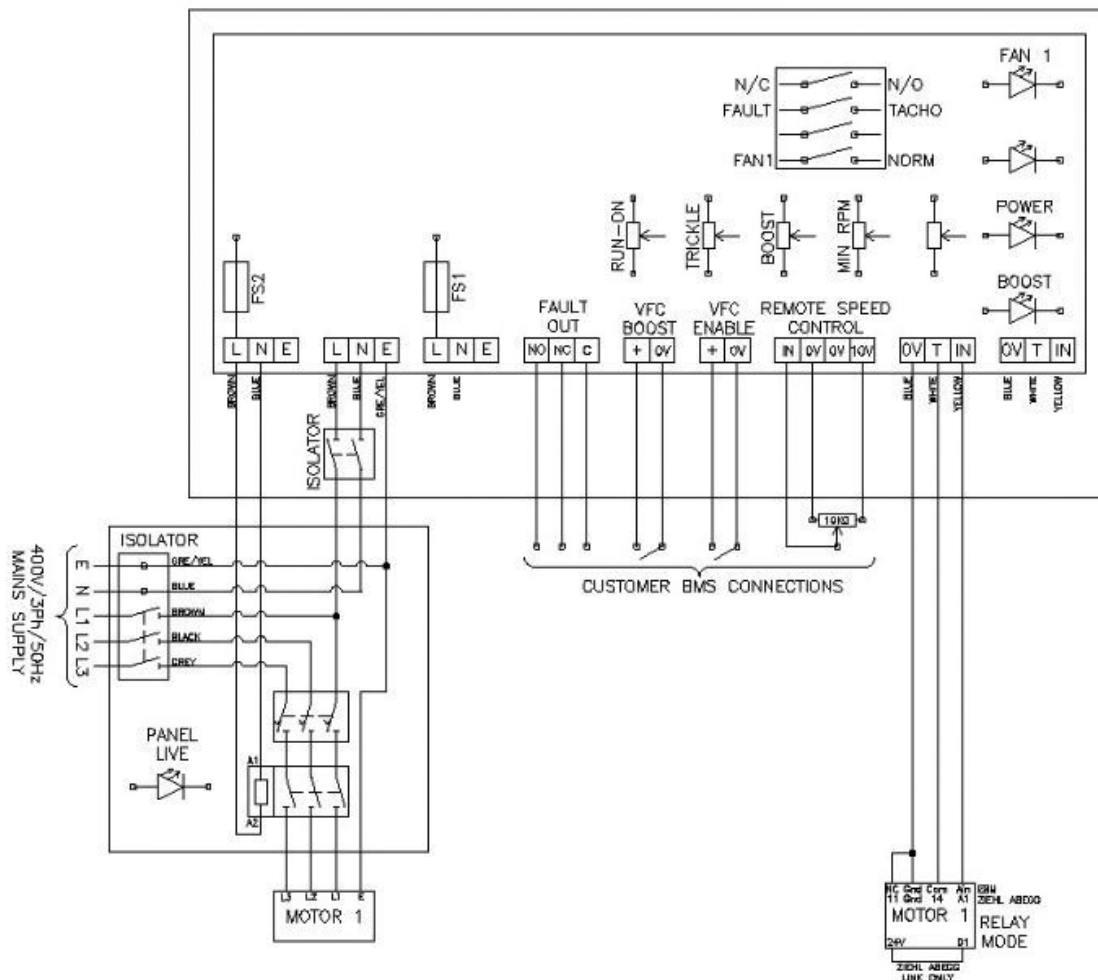
Ref	Product Code	A	B	C	D	Weight in kg
1	Woods EC Single Box 150	250	250	300	150	10
2	Woods EC Single Box 200	350	250	400	200	15
3	Woods EC Single Box 250	450	350	550	250	27
4	Woods EC Single Box 315	550	400	600	310	33
5	Woods EC Single Box 350	650	550	650	350	47
6	Woods EC Single Box 450	750	650	975	450	80
7	Woods EC Single Box 560	900	800	1100	560	118

WIRING DIAGRAMS

1ph Wiring Diagram



3ph Wiring Diagram





Woods Air Movement Ltd. delivers smart and energy efficient Air Movement and Fire Safety solutions to support every application area. We offer our customers innovative technologies, high quality and outstanding performance supported by more than fifty years of accumulated industry application experience. The widest range of Air Movement and Ventilation products in the market, and strong market presence with over 100 years of experience and manufacturing of products, guarantees that we are always by your side, ready to deliver Excellence in Solutions.

**Contact our friendly sales team today
for more information**

Call: +44 (0) 1206 222 555

Email: quotations.woods@flaktgroup.com

www.woodsairmovement.com

