



PARKING GARAGE FANS

EC Induction Thrust Fans



EC-ITF - 12N

EC Induction Thrust Fan



Introduction

The 12N EC parking garage induction thrust fan from Woods is specifically designed to be very compact, so is ideal for low height parking garages. Dual high efficiency centrifugal impellers are each driven by an EC motor, making the product 100% speed controllable via a 0-10V signal.

The product is designed specially to be used for a general ventilation application, pollution control (i.e., via carbon monoxide monitoring) and cold smoke extraction within closed parking garage buildings.

Construction Details

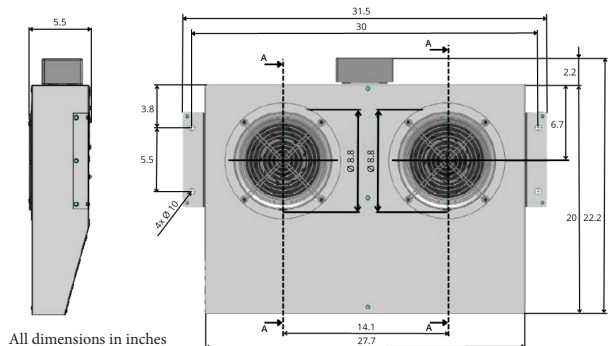
The EC Induction Thrust Fan (EC-ITF) features two centrifugal impellers manufactured from plastic, each of which is driven by an energy efficient EC motor. As motors can be speed controlled via a simple zero-to-10-volt signal, this enables the product to deliver on demand ventilation, which perfectly matches the design requirement.

The fan casing and integral ceiling mount brackets are manufactured from galvanized steel to provide product longevity and reliability. An externally mounted terminal box is pre-wired to each drive motor, for a quick and hassle-free installation process. To provide enhanced safety, each fan inlet is fitted with a protection guard. Each impeller, manufactured from plastic, is balanced to grade G4.0 to minimize vibration.

Technical Parameters

Thrust	12N
Flow	1607 cfm (max.)
Voltage	230V
Frequency	50/60 Hz
Phase	1 Ph
Absorbed Power	0.425 hp
Full Load Current	2.48 amps
Impeller Speed	2660 rpm
Max. Operating Temperature	140°F (60°C)
Motor Type	EC
Enclosure/Insulation Class	IP54/B
Sound Pressure	68 dB(A) at 6.5 ft (free field)
Weight	33.1 lbs

Dimension Details



EC-ITF - 25N

EC Induction Thrust Fan



Introduction

The 25N EC parking garage induction thrust fan from Woods is specifically designed to be very compact, so is ideal for low height parking garages. High efficiency centrifugal impeller driven by an EC motor, making the product 100% speed controllable via a 0-10V signal.

The product is designed specially to be used for a general ventilation application, pollution control (i.e., via carbon monoxide monitoring) and cold smoke extraction within closed parking garage buildings.

Construction Details

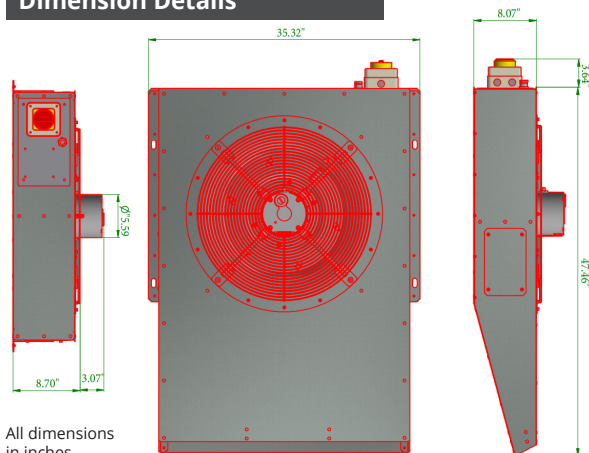
The EC Induction Thrust Fan (EC-ITF) features a centrifugal impeller manufactured from plastic, which is driven by an energy efficient EC motor. As motors can be speed controlled via a simple zero-to-10-volt signal, this enables the product to deliver on demand ventilation, which perfectly matches the design requirement.

The fan casing and integral ceiling mount brackets are manufactured from galvanized steel to provide product longevity and reliability. There is an externally mounted terminal box which is pre-wired to drive the motor, which offers a quick and hassle-free installation process. To provide enhanced safety, each fan inlet is fitted with a protection guard. The impeller, which is manufactured from plastic, is balanced to grade G4.0 to minimize vibration.

Technical Parameters

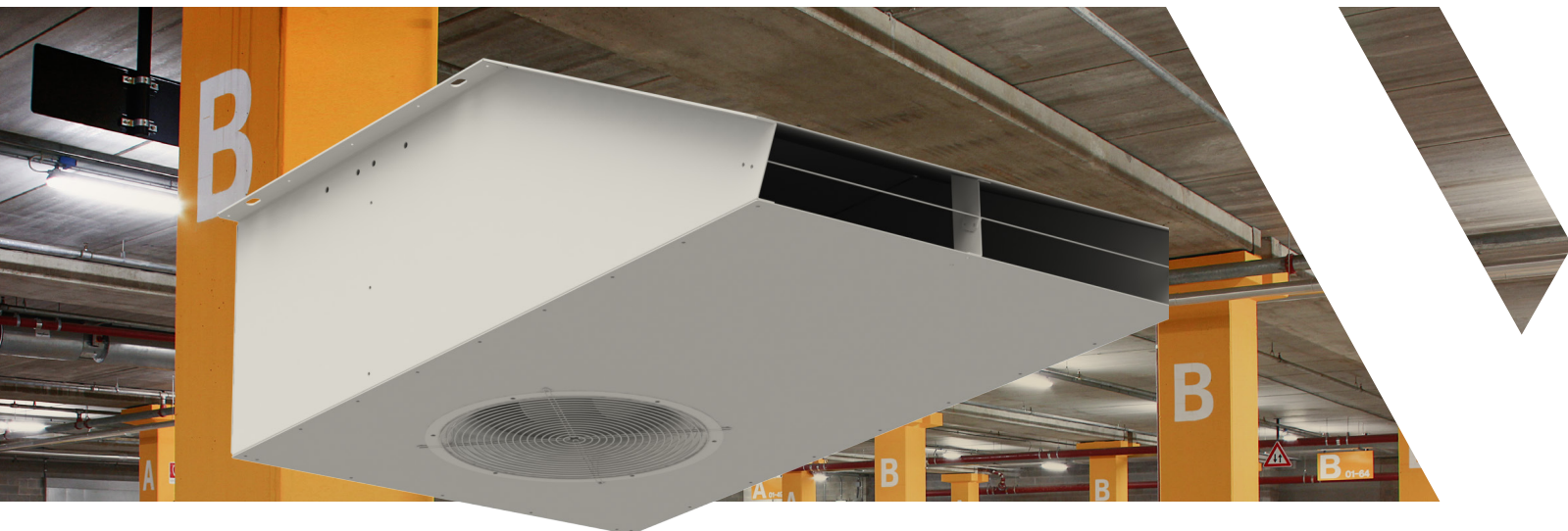
Thrust	25N
Flow	2481 cfm
Voltage	220-277V
Frequency	50/60 Hz
Phase	1 Ph
Absorbed Power	1 hp
Full Load Current	5.80-5.12 A
Impeller Speed	1500 rpm
Motor Type	EC
Enclosure/Insulation Class	F
Weight	165 lbs

Dimension Details



EC-ITF - 50N

EC Induction Thrust Fan



Introduction

The 50N EC parking garage induction thrust fan from Woods is specifically designed to be very compact, so is ideal for low height parking garages. High efficiency centrifugal impeller driven by an EC motor, making the product 100% speed controllable via a 0-10V signal.

The product is designed specially to be used for a general ventilation application, pollution control (i.e., via carbon monoxide monitoring) and cold smoke extraction within closed parking garage buildings.

Construction Details

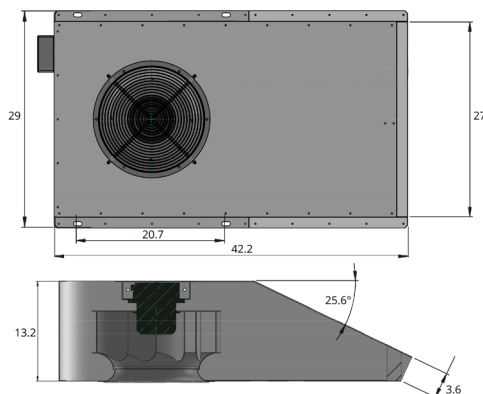
The EC Induction Thrust Fan (EC-ITF) features a centrifugal impeller manufactured from plastic, which is driven by an energy efficient EC motor. As motors can be speed controlled via a simple zero-to-10-volt signal, this enables the product to deliver on demand ventilation, which perfectly matches the design requirement.

The fan casing and integral ceiling mount brackets are manufactured from galvanized steel to provide product longevity and reliability. There is an externally mounted terminal box which is pre-wired to drive the motor, which offers a quick and hassle-free installation process. To provide enhanced safety, each fan inlet is fitted with a protection guard. The impeller, which is manufactured from plastic, is balanced to grade G4.0 to minimize vibration.

Technical Parameters

Thrust	50N
Flow	3453 cfm
Voltage	380-480V
Frequency	50/60 Hz
Phase	3 Ph
Absorbed Power	2 bhp
Full Load Current	2.30 amps
Impeller Speed	1400 rpm
Max. Operating Temperature	140°F (60°C)
Motor Type	EC
Enclosure/Insulation Class	IP54/B
Weight	126 lbs

Dimension Details



All dimensions
in inches



Woods Air Movement Ltd. delivers smart and energy efficient Air Movement and Fire Safety solutions to support every application area. We offer our customers innovative technologies, high quality and outstanding performance supported by more than fifty years of accumulated industry application experience. The widest range of Air Movement and Ventilation products in the market, and strong market presence with over 100 years of experience and manufacturing of products, guarantees that we are always by your side, ready to deliver Excellence in Solutions.

**Contact our friendly sales team today
for more information**
Call: 629 335 9888
Email: sales.us@flaktgroup.com
www.woodsairmovement.com

